

## iDIRECT LNB Series

### Universal-Ku Band PLL LNB

- Auto 22 kHz Switch (P/N: E0001110-0001)
- Manual Switch (P/N: E0001106-0001)

iDirect's universal PLL LNBs cover all three Ku-band downlink sub-bands (10.70-12.75 GHz) by switching across two L-band ranges through automatic 22 kHz tone control by remote or via a mechanical switch selected by the user. Highly stable, low noise, and an excellent choice for Evolution or Velocity networks.



### Electrical Specifications

Input Frequency Range	Low Band: 10.70 to 11.70 GHz; High Band: 11.70 to 12.75 GHz
Output Frequency Range	Low Band: 950 to 1,950 MHz; High Band: 1,100 to 2,150 MHz
Local Frequency	Low Band: 9.75 GHz; High Band: 10.60 GHz
Conversion Gain	48 dBm min., 62 dB max.
Noise Figure @ 25°C	0.8 dB typ., 1.0 dB max.
Local Stability	+/- 35 ppm max. (initial setting error and across temperature range) Recommended for Evolution carriers down to a minimum of 1 Msps.
Image Rejection	40 dB min.
Input V.S.W.R.	2.5 : 1 typ.
Output V.S.W.R.	2.3 : 1 max.
DC Power Requirement	
[Input Port]	IF Output Connector; DC Supply combined with IF Signal
[Voltage Range]	+12 to +24 VDC
[Current Drain]	145 mA typ., 170 mA max.

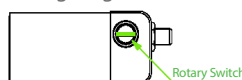
### Frequency Band Selection

[Select Type]	<b>22 kHz Tone Control (DiSEqC-compatible):</b> Low Band: 0.0 to 0.2 Vp-p High Band: 0.4 to 0.8 Vp-p
[Input Port]	IF Output Connector; DC Supply combined with IF Signal
[Wave Form]	Square-wave
[Frequency]	22 +/- 4 kHz
[Duty Cycle]	30 to 70%

[Select Type]	<b>Manual Switch:</b> Outside Rotary Switch L Setting: Low Band (initial setting)
---------------	---



H Setting: High Band



These products are manufactured in Japan and carry a 3-year warranty.

## iDIRECT LNB Series

DiSEqC Universal-Ku Band PLL LNB (P/N: E0001110-0001)

Manual Universal-Ku Band PLL LNB (P/N: E0001106-0001)

### Mechanical Specifications

<b>Input Interface</b>	Waveguide, WR-75 (with Groove)
<b>Output Interface</b>	F-Type, Female
<b>Dimension &amp; Housing (without Interface Connector)</b>	<b>DiSEqC:</b> 82.2 (L) x 40 (W) x 40 (H) mm 3.24" (L) x 1.57" (W) x 1.57" (H) <b>Manual:</b> 83.2 (L) x 42 (W) x 42 (H) mm 3.28" (L) x 1.65" (W) x 1.65" (H)
<b>Weight</b>	210 g (0.46 lbs)

### Environmental Specifications

<b>Temperature Range (ambient)</b>	-40 to +60°C (operating) -40 to +80°C (storage)
<b>Humidity</b>	0 to 100%
<b>Altitude</b>	15,000 feet max.
<b>Compliance</b>	CE, FCC, RoHS

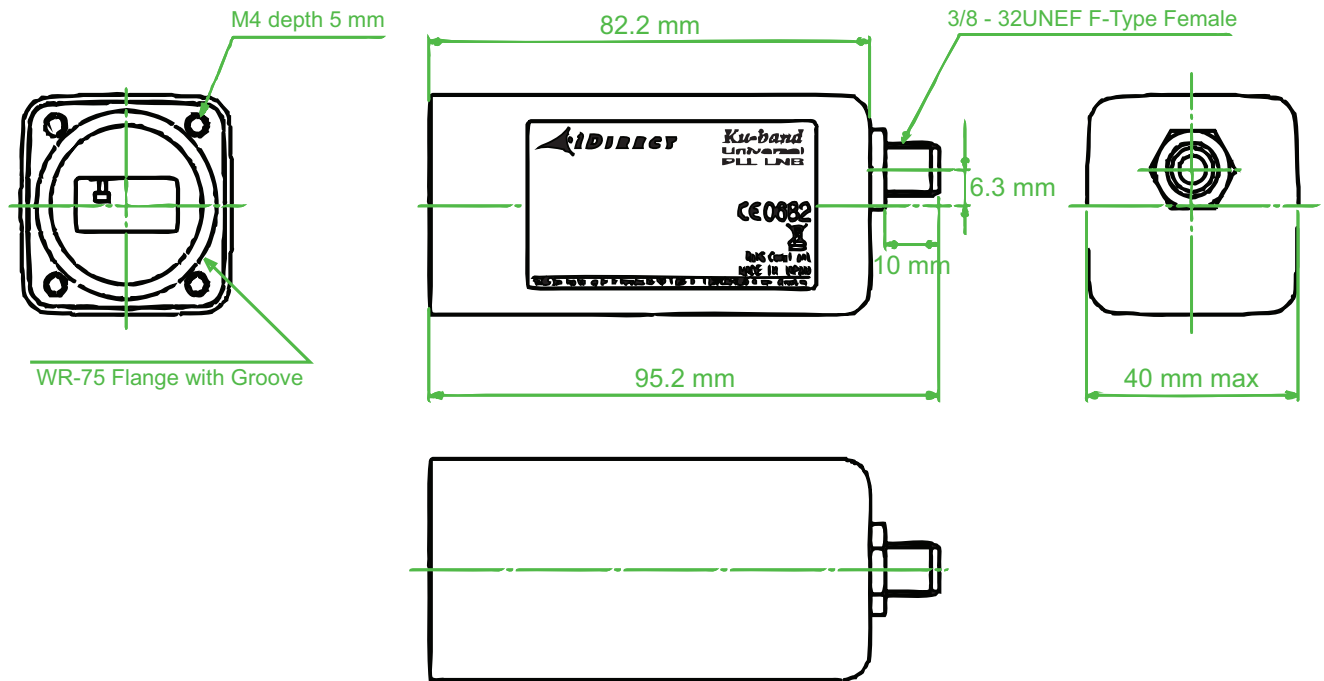
## iDIRECT LNB Series

DiSEqC Universal-Ku Band PLL LNB (P/N: E0001110-0001)

Manual Universal-Ku Band PLL LNB (P/N: E0001106-0001)

### Mechanical Drawing

#### DiSEqC 22 kHz:



#### Manual Switch:

