

0.75M CARBON FIBER PORTABLE OFFSET-FEED ANTENNA (Tripod-type)



General Description

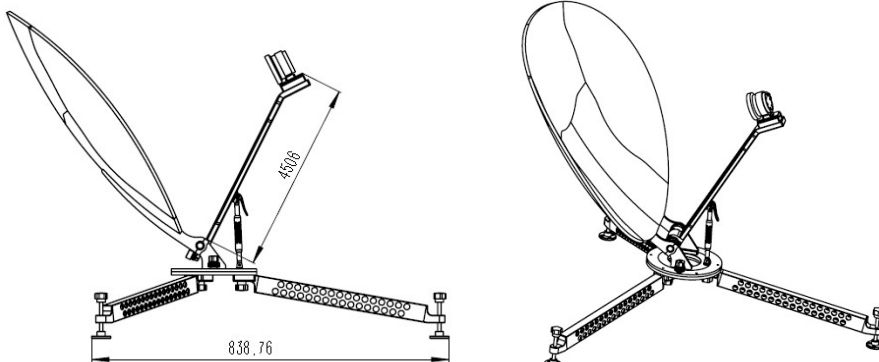
The probecom 0.75m flyaway manual antenna is specially designed for highly portable antenna by adopting carbon fiber material with light weight and can be assembled in less than 3 minutes by two person . It can provide users exceptional performance in high gain and low side lobe

Applications:

- Sudden public events and all kinds of disasters on-site information gathering Disaster relief.
- Public security, military, government, oil, water conservancy, electricity, finance and other important sectors of the country
- The remote areas and the vast rural areas out of coverage.
- Field operations, exploration, military police and news media.

Highlight Features

- Carbon fiber antenna reflector with light weight, high precision and high efficiency, corrosion resistance and other characteristics, it ensured the antenna in the normal operation under harsh environment in greatest degree.
- Compact structure, Lightweight, portable, rapid deployment, high performance, a person can install within 3 minutes, available in airline baggage.
- The latest design of the Ku-band satellite antenna, being compact and robust, cost-effective can be used in the fast and reliable satellite communications.
- Designed specifically for field use, regardless of when and where, it can quickly transfer high-quality broadband content.



Components

- Single Offset Antenna
- Azimuth & elevation turntable
- Portable case
- Compass & leveling

Technical Specification

Electrical Specification		
Type	CFM75EK	
Frequency(GHz)	Extended ku band	
	Receive	Transmit
	10.7~12.75	13.75~14.5
Typical Gain(dBi)	37.6@12GHz	38.9@14GHz
Polarization	Linear	
VSWR	1.25:1	1.25:1
Beam width: -3dB	2.4°	2.0°
Power Handing Capability		200W
Feed Interface	WR75	WR75
Feed Insertion Loss(dB)	0.4dB	0.2dB
Tx/Rx Isolation	80dB	
Cross Polarization Isolation	≥30dB	
Side lobe	At least 90% of the side-lobe peaks does not exceed: $32-25\log\theta(100\lambda/D < \theta \leq 20^\circ)$	
MECHANICAL SPECIFICATIONS		
Weight	9.6kg	
material	Carbon Fiber	
Mounting time	3 minutes (Two Persons)	
Drive mode	Manual Drive	
Azimuth Travel	±60° Vernier adjustment	
Elevation travel	0°~90°	
Polarization Travel Rate	±90°	
Surface Accuracy (R.M.S)	0.3mm	
Ambient Temperature	-30°~+60°	
Relative Humidity	0%~100%	