

SATCOM TRANSMITTER

BUC

C-band 20W BUC

M-T5020, M-T5120, M-T5220, M-T5320, M-T5420, M-T6020



TYPICAL SPECIFICATIONS

Output frequency	M-T5020: 5.850 to 6.425 GHz M-T5120: 5.850 to 6.650 GHz M-T5220: 5.850 to 6.725 GHz M-T5320: 5.725 to 6.525 GHz M-T5420: 5.725 to 6.225 GHz M-T6020: 6.725 to 7.025 GHz	Spurious (In/Out-band)	-50dBc
Input frequency	M-T5020: 950 to 1525 MHz M-T5120: 950 to 1750 MHz M-T5220: 950 to 1825 MHz M-T5320: 950 to 1750 MHz M-T5420: 975 to 1475 MHz M-T6020: 950 to 1250 MHz	Gain	68dB max
LO frequency	M-T5020: 4.9GHz M-T5120: 4.9GHz M-T5220: 4.9GHz M-T5320: 4.775GHz M-T5420: 4.75GHz M-T6020: 5.775GHz	Gain control	Δ15dB, 1dB step
Frequency sense	No inversion	Gain stability over temp	±2.0dB max
Output P1dB	+43dBm min	Gain flatness	±1.0dB in any 36MHz ±2.5dB over full band
Input return loss	12dB min	Power requirement	+43 to +53 VDC supplied through MS connector
Output return loss	15dB min	Power consumption	160W max
Phase noise (SSB)	-60dBc/Hz max @100Hz -73dBc/Hz max @1KHz -83dBc/Hz max @10KHz -93dBc/Hz max @100KHz	Input interface	N-female, F-female
External reference Signal frequency	10MHz	Output interface	CPR-137G
External reference level	-5 to +5 dBm	Dimension	180(L) x 130(W) x 105(H) mm
External reference phase noise	-140dBc/Hz max @1KHz	Weight	2.7Kg max
		Operating temp	-40 to 55 °C
		Humidity	0 - 95 %
		M&C interface	Ethernet or RS232 through MS3112E14-12P connector - Output power - Temperature - LO status - Output power mute - Gain control - Fan status - Firmware upgradable

* External mute option is available upon customer request.

HOW TO ORDER C-BAND 20W BUC

M-T5020N-E

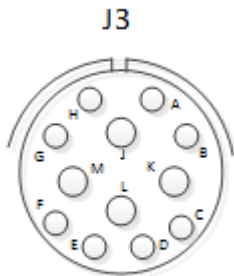
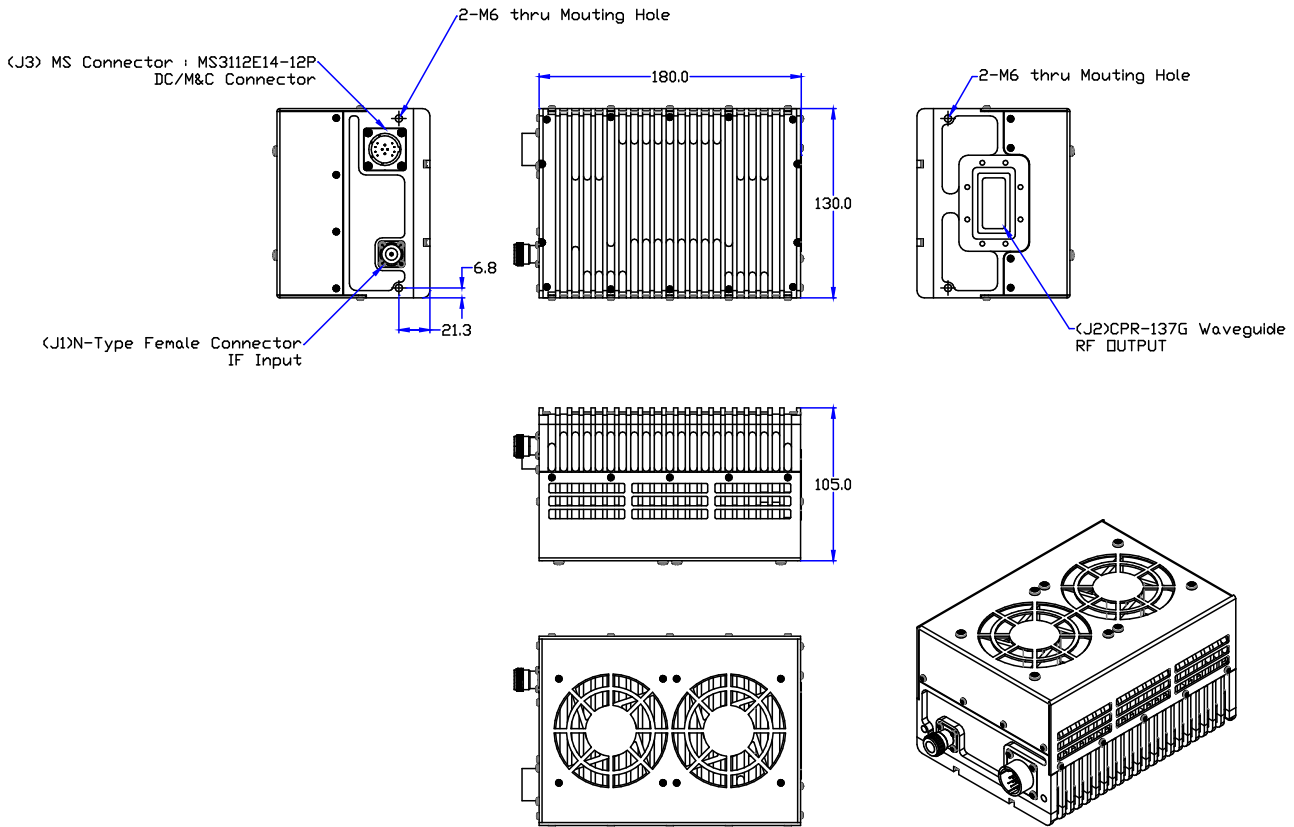
DC/M&C option	E : DC via MS connector, gain adjustable, M&C
Input connector	W : DC via MS connector, gain adjustable, M&C (Web browser)
Output power	N : 50Ω, F : 75Ω
Frequency	20 : 20W (+43dBm)
Product	50 : 5.850 to 6.425 GHz, 51 : 5.850 to 6.650 GHz,
Application	52 : 5.850 to 6.725 GHz, 53 : 5.725 to 6.525 GHz,
		54 : 5.725 to 6.225 GHz, 60 : 6.725 to 7.025 GHz
		T : BUC series
		M : Mobility series

SATCOM TRANSMITTER

AVAILABLE OPTIONS

Option	Gain Control	Connectors		M&C	
		DC Input	M&C	PC-based GUI (Ethernet or RS-232)	Web-based GUI (Web browser)
E	Adjustable	MS3112E14-12P (12-pin)		Available	Unavailable
W	Adjustable	MS3112E14-12P (12-pin)		Available	Available

OUTLINE DRAWING AND INTERFACE



Connector	Parameter	Description
J1	IF input connector	N-female, panel-mounted
	Impedance	50 ohm
	10MHz reference input	
J2	RF output connector	CPR-137G
J3	DC / M&C(Ethernet or RS232)	Panel-mount (MS3112E14-12P)
	J3-A	Ethernet Tx+
	J3-B	Ethernet Tx-
	J3-C	Ethernet Rx+
	J3-D	Ethernet Rx-
	J3-E	
	J3-F	RS-232 GND
	J3-G	RS-232 TxD
	J3-H	RS-232 RxD
	J3-J	DC Power (+43 to +53 VDC)
	J3-K	DC Power Return
J3-L	EXT Mute High (Option*)	
J3-M	EXT Mute GND (Option*)	

* External mute option is available upon customer request. External mute is activated by connecting EXT Mute HIGH(J3-L) to EXT Mute GND(J3-M).