

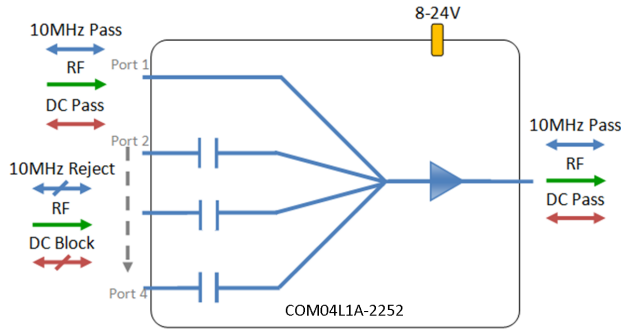


RF Components

4-Way L-Band Active Combiner

850 - 2150 MHz

Model Number:
COM04L1A-2252



- Unity gain
- 10MHz & DC pass on port 1
- All other ports 10MHz & DC blocked
- Requires 8-24V external DC bias

Available with RF connector options:

- 50 Ω SMA
- 50 Ω N-type
- 50 Ω BNC
- 75 Ω BNC
- 75 Ω F-type

Compact

Housed in rugged compact enclosure

Flexible Mounting

Tapped screw & through hole mounting options

8-24V
External DC powering

850-2150 MHz
Operating frequency range.



		RF Parameters				
COM04L1A-2252-XXXX		S5S5	N5N5	B5B5	B7B7	F7F7
Frequency Range		850 - 2150 MHz				
RF Connectors		50Ω SMA	50Ω N-Type	50Ω BNC	75Ω BNC	75Ω F-Type
Mean Gain (dB)		0 ± 1.0	0 ± 1.0	0 ± 1.2	0 ± 1.5	0 ± 1.5
Flatness ± (dB)		0.8	0.8	1.0	1.8	1.8
Input Return Loss (dB)	Typ.	18	18	16	12	12
	Min	12	12	10	8	8
Output Return Loss (dB)	Typ.	16	16	14	10	10
	Min	12	12	10	8	8
Output P1dB GCP** (dBm)	Typ.	15	15	15	15	15
	Min	12	12	10	8	8
Isolation (dB)	Typ.	20	20	20	20	20
Output IP3(dBm)	Typ.	24	24	24	24	24
Noise Figure (dB)	Typ.	14	14	14	14	14

10MHz Rejection is 20dB*
*To ports which are applicable
**GCP (Gain Compression Point)

Broadcast



Marine Oil & Gas



SNG & VSAT



Satellite Teleport

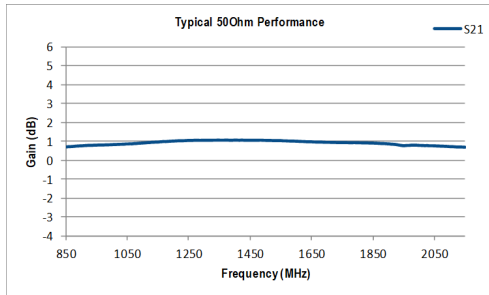




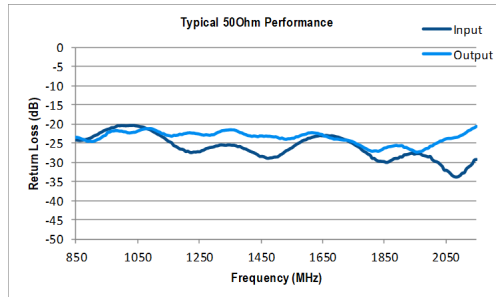
RF Components

Model Number:
COM04L1A-2252
4-Way L-Band Active Combiner

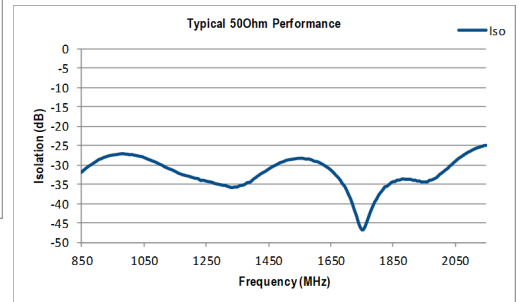
Technical specifications and operating parameters



Gain (dB)



Return Loss (dB)



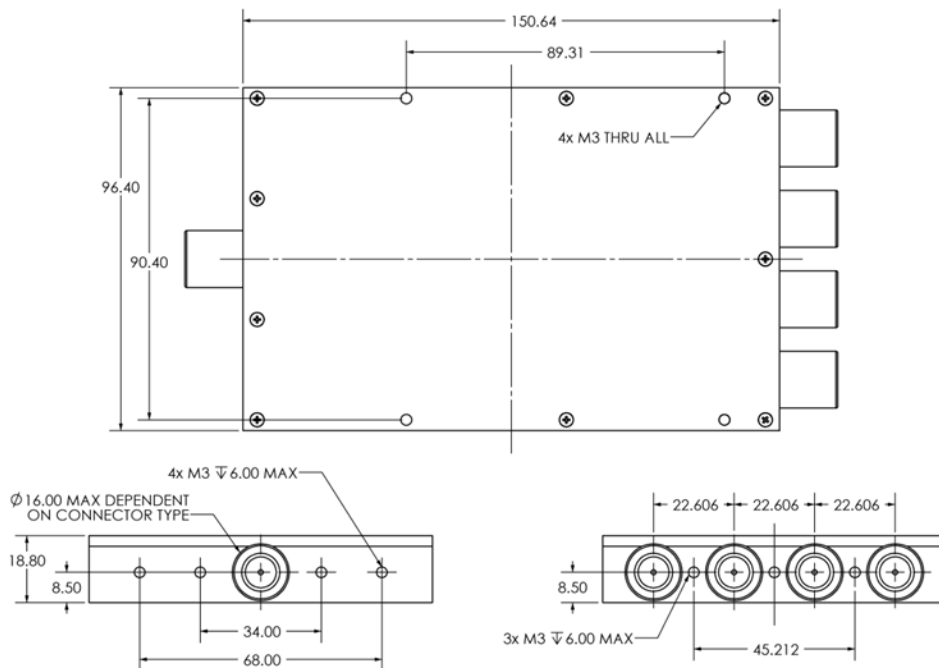
Isolation (dB)

Environmental		
Operating Temperature		0°C to +45°C
Storage Temperature		-20°C to +75°C
Location		Indoor use Only
Humidity	Max	85% non-condensing
Altitude	Max	10,000 feet

Max Operating Parameters		
Input RF Power		+21 dBm (125mW)
DC Voltage		35V on any RF port
DC Current	Max	500mA fused
DC Consumption		100mA Max, 80mA typical

! Operation beyond these limits may cause instantaneous and permanent damage.

Physical Dimensions (mm)



Note: The specification is subject to regular reviews and will be updated from time to time as part of our continuing product development and improved specification accuracy.

ETL SYSTEMS LIMITED
Coldwell Radio Station
Madley
Hereford
England HR2 9NE

TELEPHONE
+44 (0)1981 259020

EMAIL
info@etlsystems.com

FACSIMILE
+44 (0)1981 259021

WEB
www.etlsystems.com

