

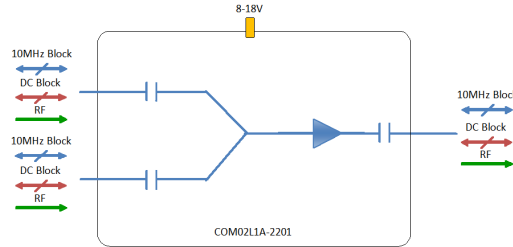


RF Components

# 2-Way L-Band Active Combiner

850 - 2150 MHz

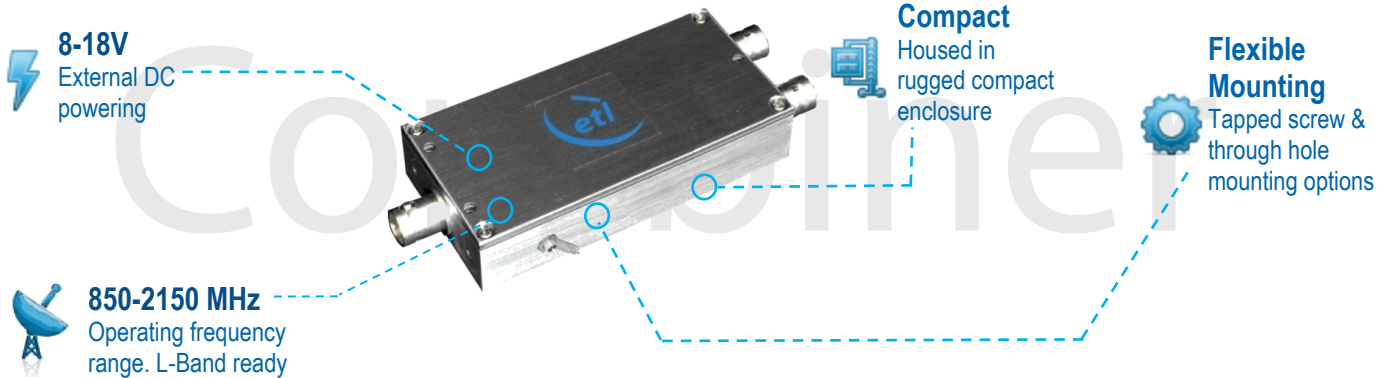
Model Number:  
**COM02L1A-2201**



- 10dB Gain
- All ports 10MHz blocked
- All ports DC blocked
- Requires 8-18V external DC bias

Available with RF connector options:

- 50  $\Omega$  SMA
- 50  $\Omega$  N-type
- 50  $\Omega$  BNC
- 75  $\Omega$  BNC
- 75  $\Omega$  F-type.



RF Parameters					
COM02L1A-2201-XXXX	S5S5	N5N5	B5B5	B7B7	F7F7
Frequency Range	850-2150 MHz				
RF Connectors	50 $\Omega$ SMA	50 $\Omega$ N-Type	50 $\Omega$ BNC	75 $\Omega$ BNC	75 $\Omega$ F-Type
Mean Gain (dB)	10 $\pm$ 1.0	10 $\pm$ 1.0	10 $\pm$ 1.2	10 $\pm$ 1.5	10 $\pm$ 1.5
Flatness $\pm$ (dB)	0 $\pm$ 0.5	0 $\pm$ 0.5	0 $\pm$ 0.8	0 $\pm$ 1.0	0 $\pm$ 1.0
Input Return Loss (dB)	Typ.	18	18	14	12
	Min	15	15	12	8
Output Return Loss (dB)	Typ.	15	15	14	10
	Min	12	12	10	8
Output P1dB GCP** (dBm)	Typ.	9	9	9	9
	Min	7	7	7	7
Isolation (dB)	Typ.	18	18	18	18
Output IP3(dBm)	Typ.	18	18	18	18
Noise Figure (dB)	Typ.	9	9	9	9
Amplitude Balance (dB)		$\leq$ 0.2	$\leq$ 0.2	$\leq$ 0.2	$\leq$ 0.5
Phase Balance ( $\Phi$ )		$\leq$ 3 $^\circ$	$\leq$ 3 $^\circ$	$\leq$ 6 $^\circ$	$\leq$ 6 $^\circ$
10MHz Rejection is 20dB* *To ports which are applicable **GCP (Gain Compression Point)					

## Broadcast



## Marine Oil & Gas



## SNG & VSAT



## Satellite Teleport

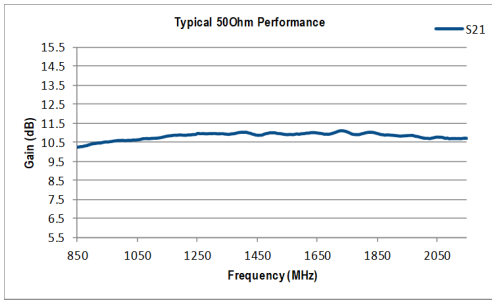




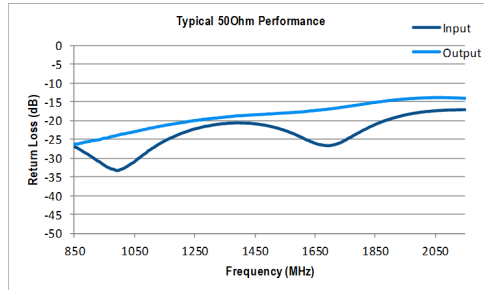
RF Components

Model Number:  
**COM02L1A-2201**  
2-Way L-Band Active Combiner

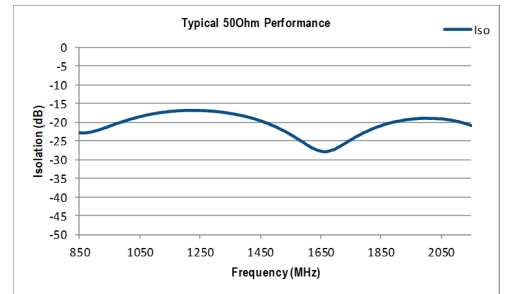
Technical specifications and operating parameters



Gain (dB)



Return Loss (dB)



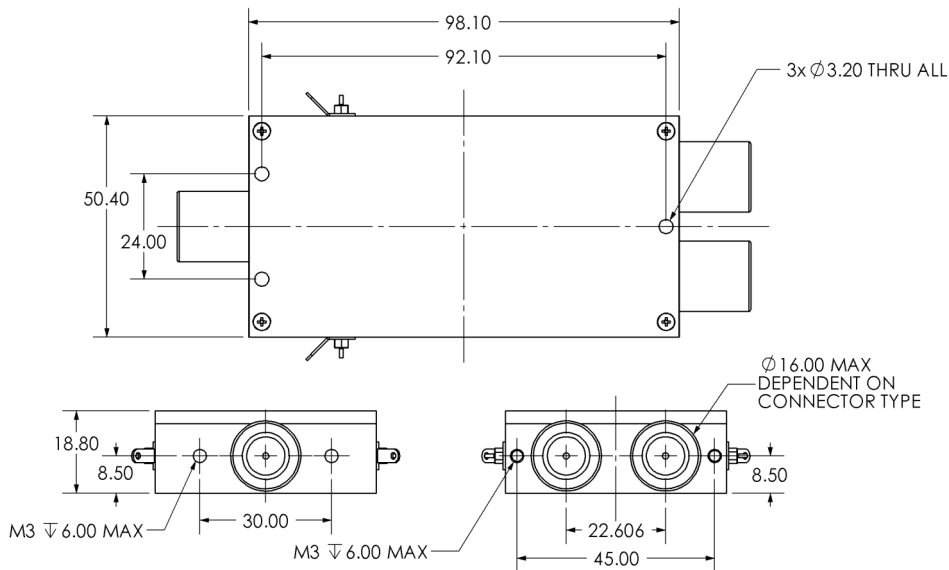
Isolation (dB)

Environmental		
Operating Temperature		0°C to +45°C
Storage Temperature		-20°C to +75°C
Location		Indoor use Only
Humidity	Max	85% non-condensing
Altitude	Max	10,000 feet

Max Operating Parameters	
Input RF Power	+16 dBm (40mW)
DC Voltage	35V on any RF port
DC Consumption	100mA Max, 80mA Typ

! Operation beyond these limits may cause instantaneous and permanent damage.

Physical Dimensions (mm)



Note: The specification is subject to regular reviews and will be updated from time to time as part of our continuing product development and improved specification accuracy.

ETL SYSTEMS LIMITED  
Coldwell Radio Station  
Madley  
Hereford  
England HR2 9NE

TELEPHONE  
+44 (0)1981 259020  
  
EMAIL  
info@etlsystems.com

FACSIMILE  
+44 (0)1981 259021  
  
WEB  
www.etlsystems.com

