

SATCOM TRANSMITTER

BUC

Ku-band 8W BUC

T1208



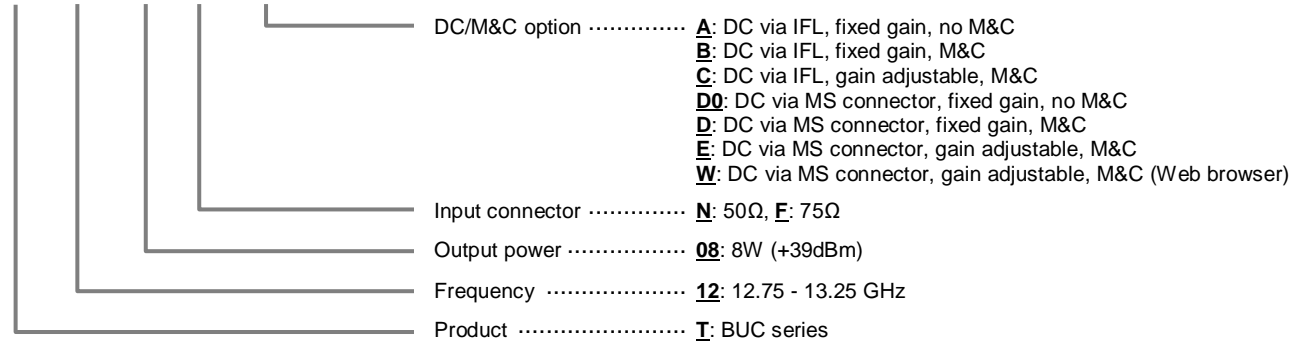
TYPICAL SPECIFICATIONS

Output frequency	12.75 to 13.25 GHz	Gain	62dB typ @0dB attenuation
Input frequency	950 to 1450 MHz	Gain control	Δ15dB (47 to 62 dB), 1dB step
LO frequency	11.80GHz	Gain stability over temp	±2.5dB at any const. frequency
Frequency sense	No inversion	Gain flatness	±1.0dB in any 36MHz ±2.0dB over full band
Output P1dB	+39dBm min	Power requirement	+22 to +27 VDC supplied through IFL or MS connector
Input return loss	12dB min	Power consumption	95W max
Output return loss	12dB min	Input interface	N-female, F-female
Phase noise (SSB)	-60dBc/Hz max @100Hz -73dBc/Hz max @1KHz -83dBc/Hz max @10KHz -93dBc/Hz max @100KHz	Output interface	WR-75
External reference signal frequency	10MHz	Dimension	223.5(L) x 150.0(W) x 97.0(H) mm
External reference level	-5 to +5 dBm	Weight	3.8Kg
External reference Phase noise	-140dBc/Hz max @ 1kHz	Operating temp	-40 to +55 °C
Spurious		Humidity	0 - 95 %
In-band	-60dBc	DC, M&C interface	Ethernet or RS232 through MS3112E14-12P connector
Out-band	-50dBc		- Temperature - LO status - Output power mute - Gain control - Firmware upgradable

* External mute option is available upon customer request.

HOW TO ORDER Ku-BAND 8W BUC

T1308N-E

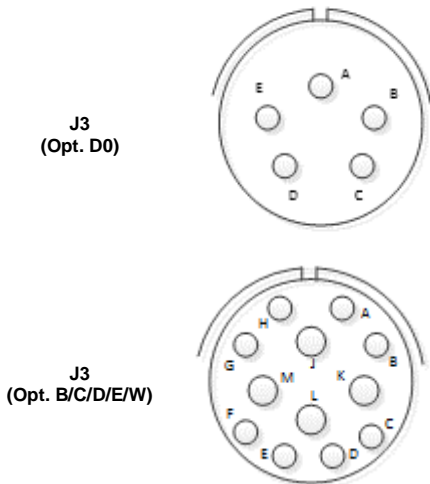
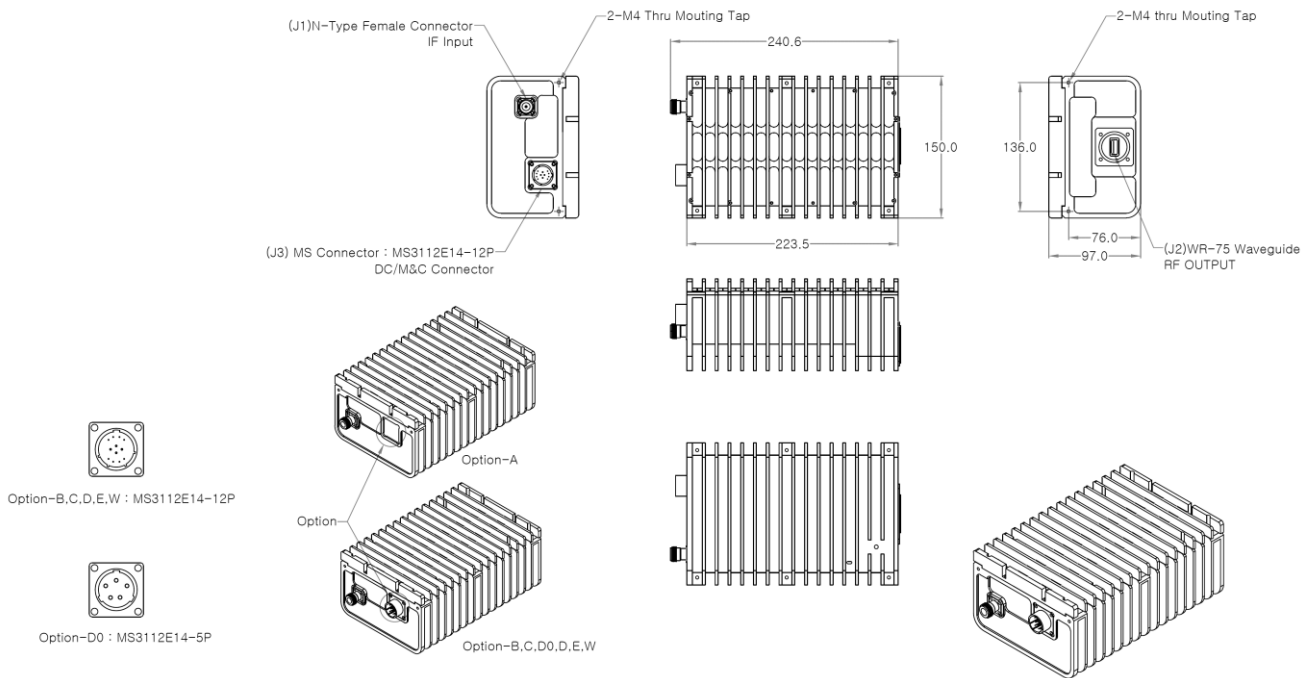


SATCOM TRANSMITTER

AVAILABLE OPTIONS

Option	Gain Control	Connectors		M&C	
		DC Input	M&C	PC-based GUI (Ethernet or RS-232)	Web-based GUI (Web browser)
A	Fixed Gain	IFL	Unavailable	Unavailable	Unavailable
B	Fixed Gain	IFL	MS3112E14-12P (12-pin)	Available	Unavailable
C	Adjustable	IFL	MS3112E14-12P (12-pin)	Available	Unavailable
D0	Fixed Gain	MS3112E14-5P (5-pin)	No M&C Function	No M&C Function	
D	Fixed Gain	MS3112E14-12P (12-pin)		Available	Unavailable
E	Adjustable	MS3112E14-12P (12-pin)		Available	Unavailable
W	Adjustable	MS3112E14-12P (12-pin)		Available	Available

OUTLINE DRAWING AND INTERFACE



Connector	Parameter	Description
J1	IF input connector	N-female, panel-mounted
	Impedance	50 ohm
	10MHz reference input	
J2	RF output connector	WR-75
J3 (Opt. D0)	DC	Panel-mount (MS3112E14-5P)
	A	N.C.(Not connected)
	B, C	+22 to +27 VDC (DC Power +)
	D, E	GND (DC Power -)
	DC / M&C(Ethernet or RS232)	Panel-mount (MS3112E14-12P)
J3 (Opt. B/C/D/E/W)	J3-A	Ethernet Tx+
	J3-B	Ethernet Tx-
	J3-C	Ethernet Rx+
	J3-D	Ethernet Rx-
	J3-E	
	J3-F	RS-232 GND
	J3-G	RS-232 TxD
	J3-H	RS-232 RxD
	J3-J	DC Power (+22 to +27 VDC) (Opt. D/E/W)
	J3-K	DC Power Return (Opt. D/E/W)
	J3-L	EXT Mute High (Option*)
J3-M	EXT Mute GND (Option*)	

* External mute option is available upon customer request. External mute is activated by connecting EXT Mute HIGH(J3-L) to EXT Mute GND(J3-M).