

SATCOM TRANSMITTER

BUC

Ku-band 16W BUC

M-T1216



TYPICAL SPECIFICATIONS

Output frequency	12.75 to 13.25 GHz	Gain	65dB typ @0dB attenuation
Input frequency	950 to 1450 MHz	Gain control	Δ15dB (50 to 65 dB), 1dB step
LO frequency	11.80GHz	Gain stability over temp	±2.5dB at any const. frequency
Frequency sense	No inversion	Gain flatness	±1.0dB in any 36MHz ±2.5dB over full band
Output P1dB	+42dBm min	Power requirement	+43 to +53 VDC supplied through MS connector
Input return loss	12dB min	Power consumption	150W max
Output return loss	12dB min	Input interface	N-female, F-female
Phase noise (SSB)	-60dBc/Hz max @100Hz -73dBc/Hz max @1KHz -83dBc/Hz max @10KHz -93dBc/Hz max @100KHz	Output interface	WR-75
External reference signal frequency	10MHz	Dimension	180(L) x 130(W) x 80(H) mm
External reference level	-5 to +5 dBm	Weight	2.4Kg
External reference Phase noise	-140dBc/Hz max @ 1kHz	Operating temp	-40 to +55 °C
Spurious		Humidity	0 - 95 %
In-band	-60dBc	M&C interface	Ethernet or RS232 through MS3112E14-12P connector
Out-band	-50dBc		- Output power - Temperature - LO status - Output power mute - Gain control - Fan status - Firmware upgradable

* External mute option is available upon customer request

HOW TO ORDER Ku-BAND 16W BUC

M-T1216N-E

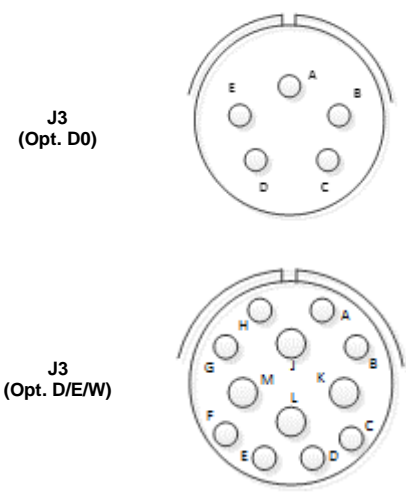
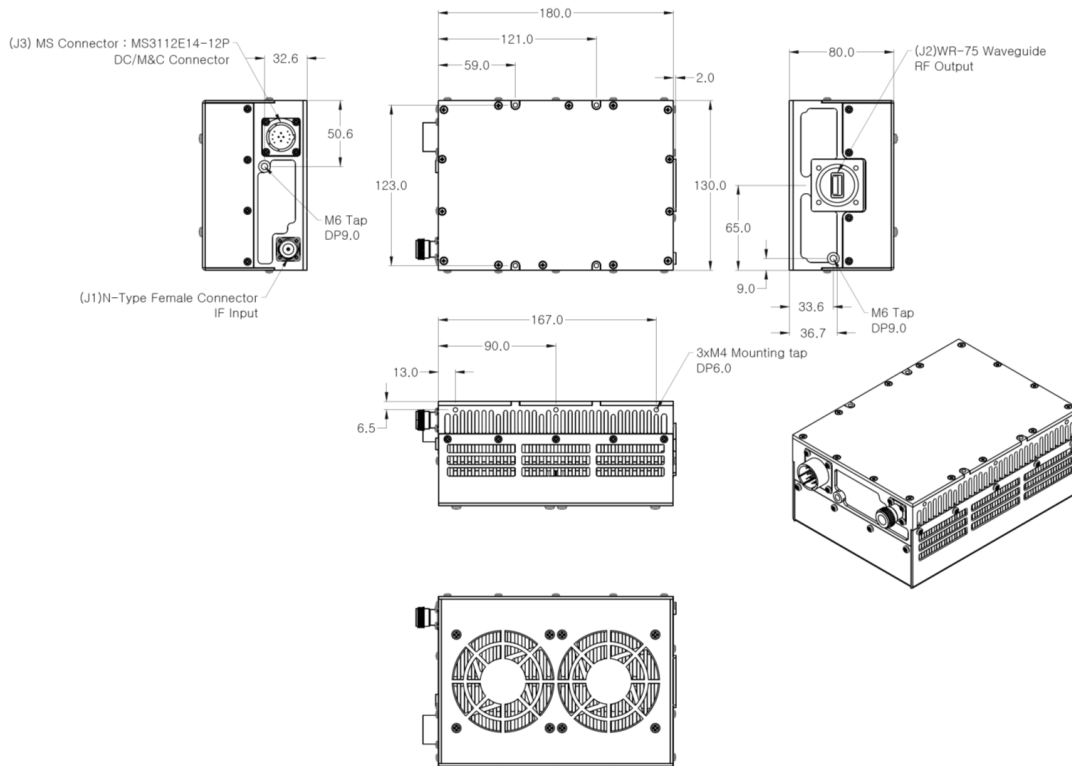
DC/M&C option	D0 : DC via MS connector, fixed gain, no M&C D : DC via MS connector, fixed gain, M&C E : DC via MS connector, gain adjustable, M&C W : DC via MS connector, gain adjustable, M&C (Web browser)
Input connector	N : 50Ω, F : 75Ω
Output power	16 : 16W (+42dBm)
Frequency	12 : 12.75 - 13.25 GHz
Product	T : BUC series
Application	M : Mobility series

SATCOM TRANSMITTER

AVAILABLE OPTIONS

Option	Gain Control	Connectors		M&C	
		DC Input	M&C	PC-based GUI (Ethernet or RS-232)	Web-based GUI (Web browser)
D0	Fixed Gain	MS3112E14-5P (5-pin)	No M&C Function	No M&C Function	
D	Fixed Gain	MS3112E14-12P (12-pin)		Available	Unavailable
E	Adjustable	MS3112E14-12P (12-pin)		Available	Unavailable
W	Adjustable	MS3112E14-12P (12-pin)		Available	Available

OUTLINE DRAWING AND INTERFACE



Connector	Parameter	Description
J1	IF input connector	N-female, panel-mounted
	Impedance	50 ohm
	10MHz reference input	
J2	RF output connector	WR-75
J3 (Opt. D0)	DC	Panel-mount (MS3112E14-5P)
	A	N.C.(Not connected)
	B, C	+43 to +53 VDC (DC Power +)
	D, E	GND (DC Power -)
J3 (Opt. D/E/W)	DC / M&C(Ethernet or RS232)	Panel-mount (MS3112E14-12P)
	J3-A	Ethernet Tx+
	J3-B	Ethernet Tx-
	J3-C	Ethernet Rx+
	J3-D	Ethernet Rx-
	J3-E	
	J3-F	RS-232 GND
	J3-G	RS-232 TxD
	J3-H	RS-232 RxD
	J3-J	DC Power (+43 to +53 VDC)
	J3-K	DC Power Return
	J3-L	EXT Mute High (Option*)
	J3-M	EXT Mute GND (Option*)

* External mute option is available upon customer request. External mute is activated by connecting EXT Mute HIGH(J3-L) to EXT Mute GND(J3-M).