

SATCOM TRANSMITTER

BUC

Ku-band 100W BUC (GaN)

T13100, T14100



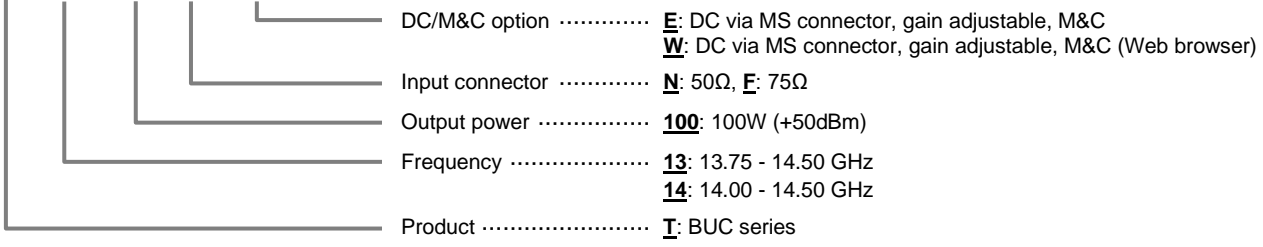
TYPICAL SPECIFICATIONS

Output frequency	T1380: 13.75 to 14.50 GHz T1480: 14.00 to 14.50 GHz	Gain	80dB typ
Input frequency	T1380: 950 to 1700 MHz T1480: 950 to 1450 MHz	Gain control	Δ15dB, 1dB step
LO frequency	T1380: 12.80GHz T1480: 13.05GHz	Gain stability over temp	±2.0dB max
Frequency sense	No inversion	Gain flatness	±1.0dB in any 36MHz ±2.5dB over full band
Saturated output power	+50dBm typ	Power requirement	+43 to +53 VDC supplied through MS connector
Input return loss	12dB min	Power consumption	650W max
Output return loss	14dB min	Input interface	N-female, F-female
Phase noise (SSB)	-67dBc/Hz max @100Hz -80dBc/Hz max @1KHz -85dBc/Hz max @10KHz -100dBc/Hz max @100KHz	Output interface	WR-75
External reference signal frequency	10MHz	Dimension	340(L) x 220(W) x 200(H) mm
External reference level	-5 to +5 dBm	Weight	15Kg
External reference phase noise	-140dBc/Hz max @1KHz	Operating temp	-40 to +55 °C
Spurious		Humidity	0 - 95 %
In-band	-55dBc	DC connector	MS3112E14-5P
Out-band	-50dBc	M&C interface	MS3112E12-10P
		M&C function	- Output power - Temperature - LO status - Output power mute - Gain control - Fan status - Firmware upgradable

* External mute option is available upon customer request.

HOW TO ORDER Ku-BAND 100W BUC

T13100N-E

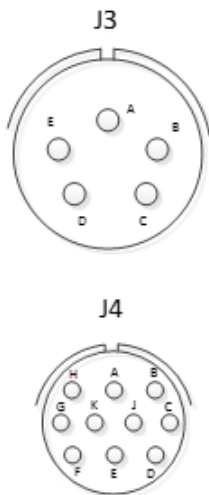
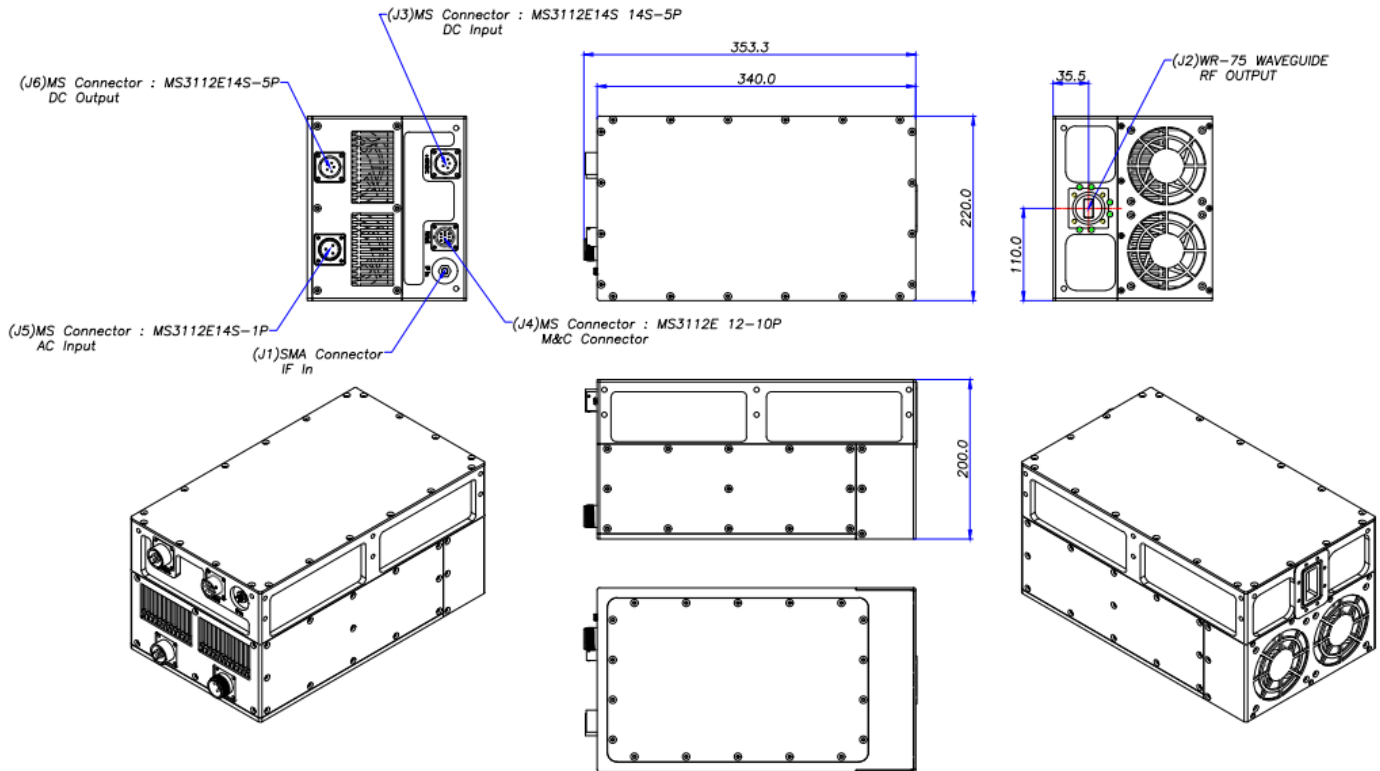


SATCOM TRANSMITTER

AVAILABLE OPTIONS

Option	Gain Control	Connectors		M&C	
		DC Input	M&C	PC-based GUI (Ethernet or RS-232)	Web-based GUI (Web browser)
E	Adjustable	MS3112E14-5P (5-pin)	MS3112E12-10P (10-pin)	Available	Unavailable
W	Adjustable	MS3112E14-5P (5-pin)	MS3112E12-10P (10-pin)	Available	Available

OUTLINE DRAWING AND INTERFACE



Connector	Parameter	Description
J1	IF input connector	N-female, panel-mounted
	Impedance	50 ohm
	10MHz reference input	
J2	RF output connector	WR-75
J3	DC	Panel-mount (MS3112E14-5P)
	A	N.C.(Not connected)
	B, C	+43 to +53 VDC (DC Power +)
	D, E	GND (DC Power -)
J4	M&C(Ethernet or RS232)	Panel-mount (MS3112E12-10P)
	J4-A	RS-232 Tx
	J4-B	RS-232 Rx
	J4-C	Ethernet Rx-
	J4-D	
	J4-E	EXT Mute GND (Option*)
	J4-F	EXT Mute HIGH (Option*)
	J4-G	Ethernet Tx+
	J4-H	RS-232 GND
	J4-J	Ethernet Rx+
J4-K	Ethernet Tx-	

* External mute option is available upon customer request. External mute is activated by connecting EXT Mute HIGH(J4-F) to EXT Mute GND(J4-E).