

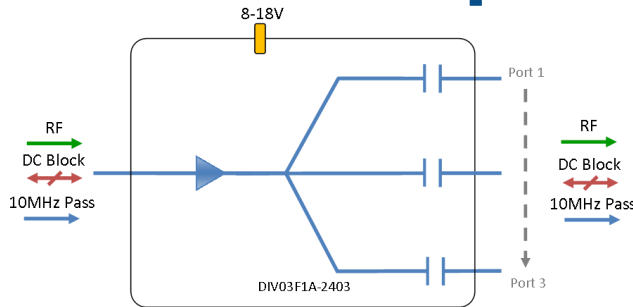


Model Number:  
**DIV03F1A-2403**

RF Components

# 3-Way IF-Band Active Splitter

## 50 - 2800 MHz



- 10 MHz Pass
- DC blocked
- Internal regulator
- Requires 8-18V external DC bias

Available with RF connector options:

- 50  $\Omega$  SMA
- 50  $\Omega$  N-type
- 50  $\Omega$  BNC

**8-18V**  
External DC  
powering

**Compact**  
Housed in  
rugged compact  
enclosure

**Flexible  
Mounting**  
Tapped screw &  
through hole  
mounting options

**50-2800 MHz**  
Operating frequency  
range.



		RF Parameters		
DIV03F1A-2403-XXXX		S5S5	N5N5	B5B5
Frequency Range		50-2800 MHz		
RF Connectors		50 $\Omega$ SMA	50 $\Omega$ N-Type	50 $\Omega$ BNC
Mean Gain (dB)		0 $\pm$ 1.0	0 $\pm$ 1.0	0 $\pm$ 1.0
Flatness $\pm$ (dB)		1.0	1.0	1.0
Input Return Loss (dB)	Typ.	17	17	17
	Min	12	12	12
Output Return Loss (dB)	Typ.	25	25	25
	Min	16	16	16
Output P1dB GCP* (dBm)	Typ.	5	5	5
	Min	2	2	2
Isolation (dB)	Typ.	16	16	16
Output IP3 (dBm)	Typ.	14	14	14
Noise Figure (dB)	Typ.	10	10	10
Amplitude Balance (dB)		$\leq$ 0.4	$\leq$ 0.4	$\leq$ 0.4
Phase Balance ( $\Phi$ )		$\leq$ 5 $^\circ$	$\leq$ 5 $^\circ$	$\leq$ 5 $^\circ$

\*GCP (Gain Compression Point)

**Broadcast**



**Marine Oil & Gas**



**SNG & VSAT**



**Satellite Teleport**



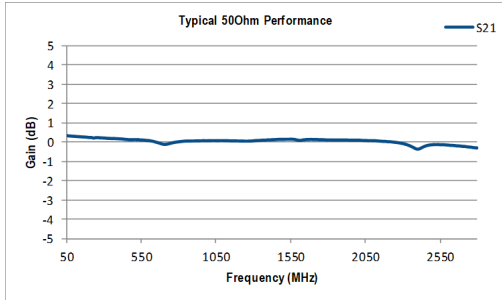


RF Components

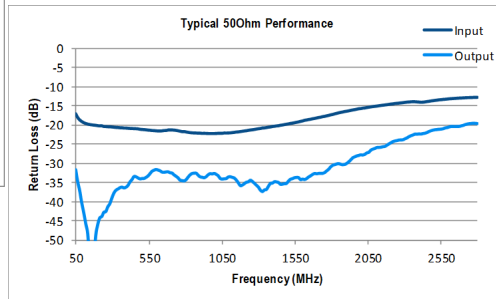
Model Number:  
**DIV03F1A-2403**

3-Way IF-Band Active Splitter

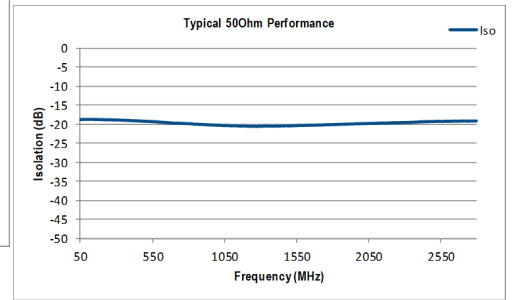
Technical specifications and operating parameters



Gain (dB)



Return Loss (dB)



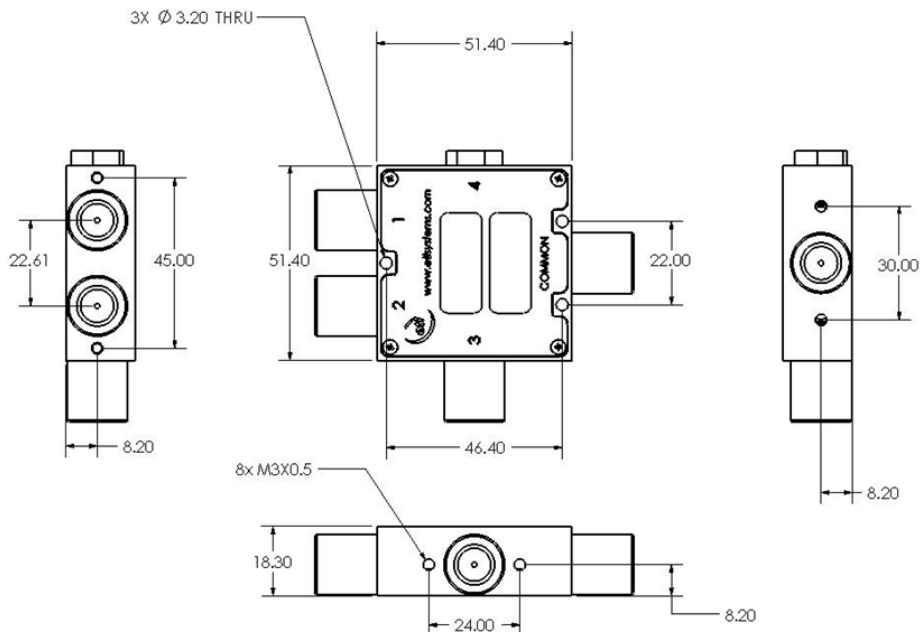
Isolation (dB)

Environmental		
Operating Temperature		0°C to +45°C
Storage Temperature		-20°C to +75°C
Location		Indoor use Only
Humidity	Max	85% non-condensing
Altitude	Max	10,000 feet

Max Operating Parameters	
Input RF Power	+21 dBm (126mW)
DC Voltage	35V on any RF port
DC Current	n/a
DC Consumption	100mA Max, 80mA typical

**!** Operation beyond these limits may cause instantaneous and permanent damage.

Physical Dimensions (mm)



Note: The specification is subject to regular reviews and will be updated from time to time as part of our continuing product development and improved specification accuracy.

ETL SYSTEMS LIMITED  
Coldwell Radio Station  
Madley  
Hereford  
England HR2 9NE

TELEPHONE  
+44 (0)1981 259020  
  
EMAIL  
info@etlsystems.com

FACSIMILE  
+44 (0)1981 259021  
  
WEB  
www.etlsystems.com

