

SATCOM RECEIVER

LNB

C-band INT LNB R3000I



TYPICAL SPECIFICATIONS

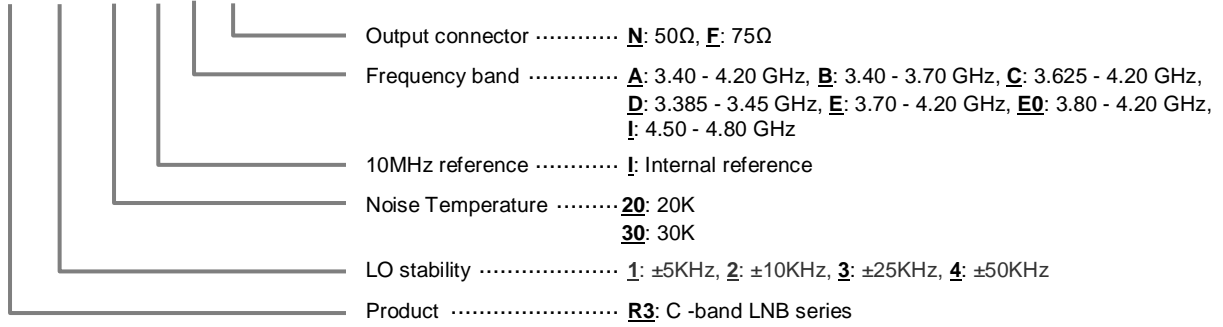
Noise temperature	20K, 30K typ @+23°C	Spurious	
LO stability	±5 to ±50 KHz	Signal related	-50dBc max @-10dBm
Phase noise	-78dBc/Hz @1KHz -88dBc/Hz @10KHz -100dBc/Hz @100KHz	Power supply related	-50dBc max @-10dBm
Input VSWR	2.2 : 1	Harmonics	-40dBc max @-10dBm
Output VSWR	2.2 : 1	DC voltage / current	+12 to +24 V / 250mA
Gain	62dB typ	Input waveguide	CPR-229G
Output P1dB	+5dBm min	Output connector	N-female, F-female
RF input level	-30dBm max	Dimension	99.1(L) x 98.8(W) x 75.0(H) mm
		Weight	600g
		Operating temperature	-40 to +60°C

FREQUENCY BANDS AVAILABLE

Sub-band	A-band	B-band	C-band	D-band	E-band	E0-band	I-band
RF freq. (GHz)	3.40 - 4.20	3.40 - 3.70	3.625 - 4.20	3.385 - 3.45	3.70 - 4.20	3.80 - 4.20	4.50 - 4.80
LO freq. (GHz)	5.15	4.65	5.15	4.40	5.15	5.15	5.95
IF freq. (MHz)	950 - 1750	950 - 1250	950 - 1525	950 - 1015	950 - 1450	950 - 1350	1150 - 1450

HOW TO ORDER C-BAND INT LNB

R3130IAF



SATCOM RECEIVER

OUTLINE DRAWING

