

**SATCOM COMPONENT**

# BPF

## C-band BPF

### BPF-CF-36

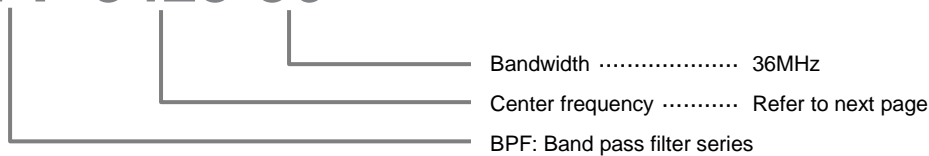


### TYPICAL SPECIFICATIONS

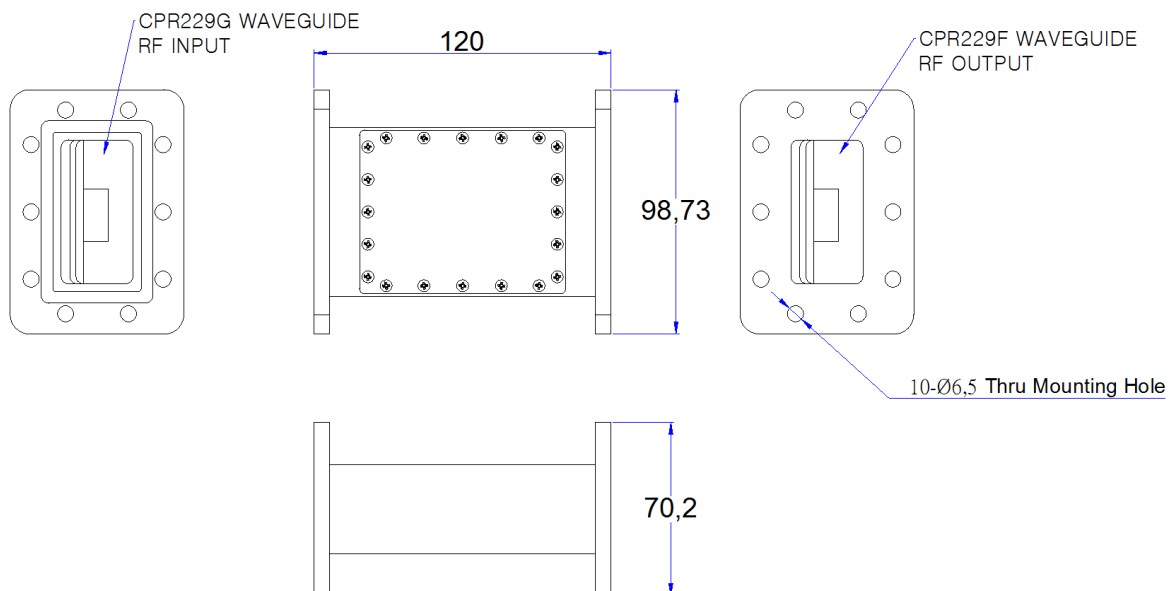
<b>Center frequency</b>	Refer to next page	<b>Rejection</b>	25 min @CF+/-68MHz 60 min @CF+/-168MHz 70 min @CF+/-218MHz 70 min @-8GHz
<b>Bandwidth</b>	36MHz	<b>Flanges</b>	CPR-229G CPR-229F
<b>1dB Bandwidth</b>	42MHz max (CF+/-21MHz)	<b>Input Output</b>	
<b>Insertion loss in band</b>	Refer to next page	<b>Dimension</b>	120(L) x 99(W) x 70(H) mm
<b>Return loss in band</b>	15dB min	<b>Weight</b>	650g

### HOW TO ORDER C-BAND BPF

## BPF-3423-36



### OUTLINE DRAWING



**SATCOM COMPONENT**
**FREQUENCY BANDS AVAILABLE**

Product	Center freq. (MHz)	Freq. range (MHz)	Insertion loss (dB)	Product	Center freq. (MHz)	Freq. range (MHz)	Insertion loss (dB)
BPF-3423-36	3423	3405 to 3441	0.6 max	BPF-3883-36	3883	3865 to 3901	0.6 max
BPF-3424-36	3424	3406 to 3442	0.6 max	BPF-3900-36	3900	3882 to 3918	0.6 max
BPF-3539-36	3539	3521 to 3557	0.6 max	BPF-3920-36	3920	3902 to 3938	0.6 max
BPF-3551-36	3551	3533 to 3569	0.6 max	BPF-3940-36	3940	3922 to 3958	0.6 max
BPF-3600-36	3600	3582 to 3618	0.6 max	BPF-3960-36	3960	3942 to 3978	0.6 max
BPF-3640-36	3640	3622 to 3658	0.6 max	BPF-3966-36	3966	3948 to 3984	0.6 max
BPF-3644-36	3644	3626 to 3662	0.6 max	BPF-3971-36	3971	3953 to 3989	0.6 max
BPF-3654-36	3654	3636 to 3672	0.6 max	BPF-3975-36	3975	3957 to 3993	0.6 max
BPF-3680-36	3680	3662 to 3698	0.6 max	BPF-3980-36	3980	3962 to 3998	0.6 max
BPF-3682-36	3682	3664 to 3700	0.6 max	BPF-3986-36	3986	3968 to 4004	0.6 max
BPF-3685-36	3685	3667 to 3703	0.6 max	BPF-4001-36	4001	3983 to 4019	0.6 max
BPF-3696-36	3696	3678 to 3714	0.6 max	BPF-4004-36	4004	3986 to 4022	0.6 max
BPF-3720-36	3720	3702 to 3738	0.6 max	BPF-4012-36	4012	3994 to 4030	0.6 max
BPF-3727-36	3727	3709 to 3745	0.6 max	BPF-4021.5-36	4021.5	4003.5 to 4039.5	0.6 max
BPF-3730-36	3730	3712 to 3748	0.6 max	BPF-4026-36	4026	4008 to 4044	0.6 max
BPF-3759-36	3759	3741 to 3777	0.6 max	BPF-4034-36	4034	4016 to 4052	0.6 max
BPF-3760-36	3760	3742 to 3778	0.6 max	BPF-4050-36	4050	4032 to 4068	0.6 max
BPF-3770-36	3770	3752 to 3788	0.6 max	BPF-4060-36	4060	4042 to 4078	0.6 max
BPF-3775-36	3775	3757 to 3793	0.6 max	BPF-4064-36	4064	4046 to 4082	0.6 max
BPF-3780-36	3780	3762 to 3798	0.6 max	BPF-4095-36	4095	4077 to 4113	0.6 max
BPF-3809-36	3809	3791 to 3827	0.6 max	BPF-4100-36	4100	4082 to 4118	0.6 max
BPF-3822-36	3822	3804 to 3840	0.6 max	BPF-4120-36	4120	4102 to 4138	0.6 max
BPF-3830-36	3830	3812 to 3848	0.6 max	BPF-4125-36	4125	4107 to 4143	0.6 max
BPF-3855-36	3855	3837 to 3873	0.6 max	BPF-4130-36	4130	4112 to 4148	0.6 max
BPF-3874.25-36	3874.25	3856.25 to 3892.25	0.6 max	BPF-4133-36	4133	4115 to 4151	0.6 max
BPF-3880-36	3880	3862 to 3898	0.6 max	BPF-4182-36	4182	4164 to 4200	0.6 max

\* Other frequency bands can be available upon request.