

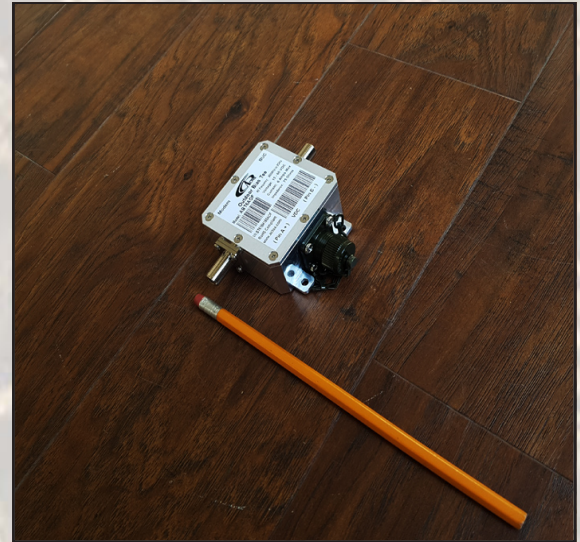


# Outdoor Power Injector - Bias Tee

## KEY FEATURES

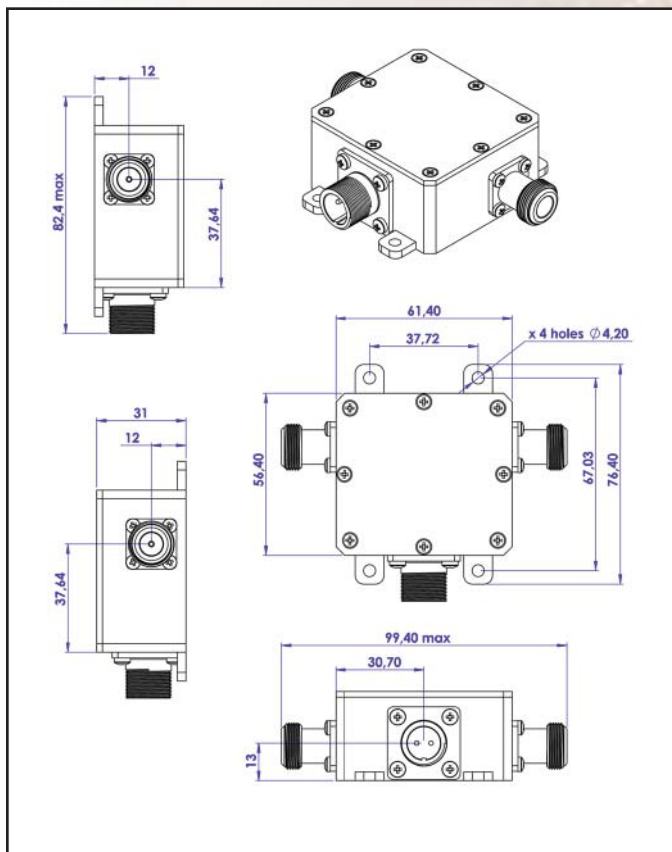
- ◆ Bandwidth DC to 2 GHz
- ◆ Operating temperature -45C - +80 deg C
- ◆ IF and 10 MHz passed through
- ◆ 15 - 64 VDC power unit
- ◆ Up to 6 Amps DC input
- ◆ "N" or "F" RF interface options
- ◆ Two-year warranty

## ABT6AON / ABT6AOF



This small and efficient unit provide DC supply to a BUC (DC power supply separate) in case a modem cannot supply sufficient power or doesn't provide BUC power at all. The unit passes L-Band signal and 10MHz reference signal and inject up to 6A DC current.

## Mechanical Drawing



## TECHNICAL SPECIFICATIONS

<b>RF Frequency</b>	DC to 2 GHz
<b>Voltage</b>	15 – 64 VDC
<b>Current</b>	6 Amps max
<b>Insertion loss</b>	1.0dB max @10MHz 1.0dB max @950MHz – 1.45GHz
<b>DC Interface</b>	MS connector
<b>RF Interface</b> <b>ABT6AOF</b> <b>ABT6AON</b>	From modem & to BUC: F-Type From modem & to BUC: N-Type
<b>Impedance</b> <b>ABT6AOF</b> <b>ABT6AON</b>	75 Ohms 50 Ohms
<b>Temperature range</b>	
Operating	-50 deg C to +70 deg C
Storage	-50 deg C to +75 deg C
<b>Dimensions</b>	61.4 (L) x 56.4 (W) x 31.0 (H) mm 2.4" (L) x 2.2" (W) x 1.2" (H)
<b>Weight</b>	200 g (7 oz) max